



www.g-m-tech.com

Tel: +44 (0) 1245 500 460



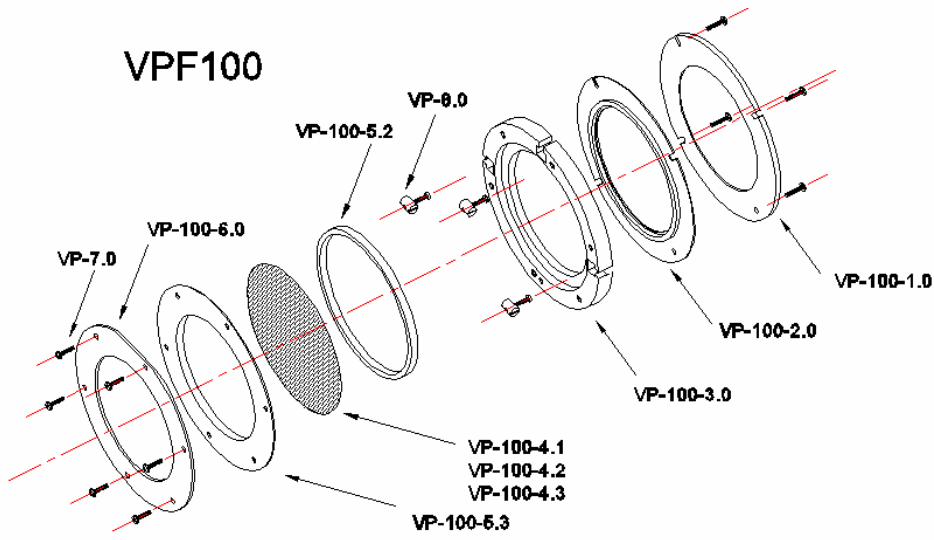
IRISS®

Infra Red Inspection Support Systems

VP-100 IR VIEWING PORT PARTS LIST

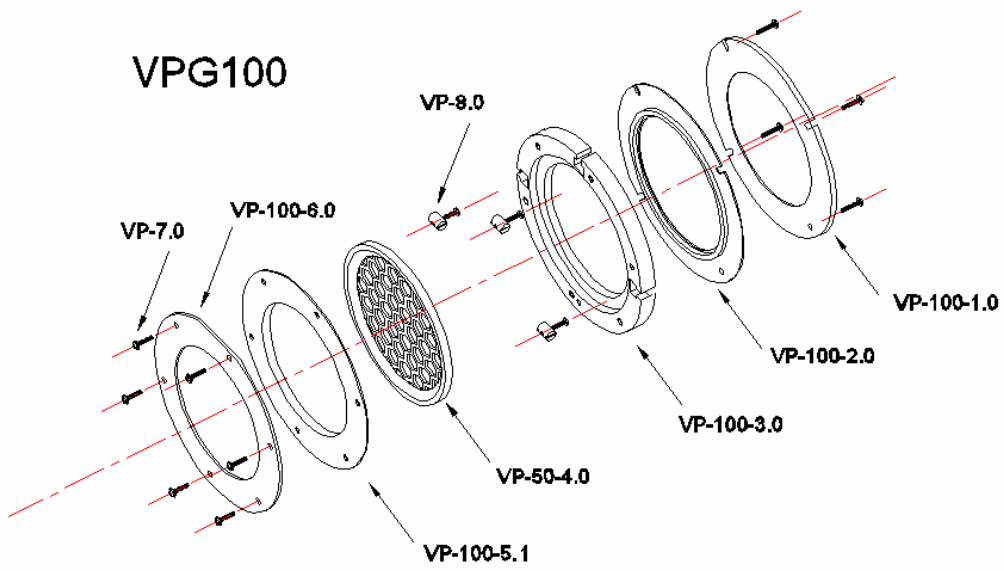


VPF100



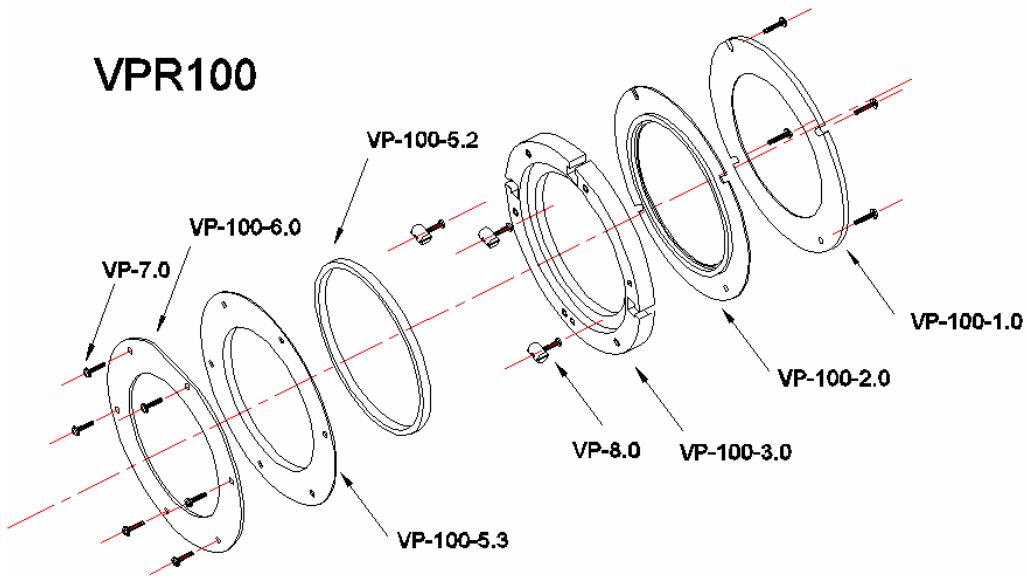
PART NUMBER	DESCRIPTION
VP-100 -1.0	COVER
VP-100 -2.0	COVER GASKET
VP-100 -3.0	MAIN BODY
VP-100 -4.1	IR 1 LENS
VP-100 -4.2	Ge LENS
VP-100 -4.3	ZnSe LENS
VP-100 -4.4	CaF2 LENS
VP-100 -4.5	BaF2 LENS
VP-100 -4.6	Al2O3 LENS
VP-100 -5.2	LENS GASKET
VP-100 -5.3	MAIN BODY GASKET
VP-100 -6.0	RETAINING RING
VP-100 -7.0	SCREWS M4X10
VP-100 -8.0	FIXINGS M4X18

VPG100



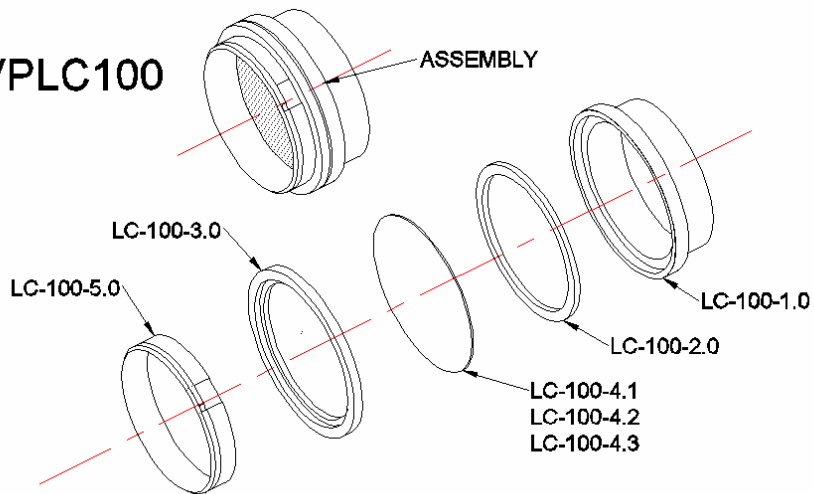
PART NUMBER	DESCRIPTION
VP-100 -1.0	COVER
VP-100 -2.0	COVER GASKET
VP-100 -3.0	MAIN BODY
VP-100 -4.0	75mm GRILL
VP-100 -5.1	GRILL GASKET
VP-100 -6.0	RETAINING RING
VP-100 -7.0	SCREWS M4X10
VP-100 -8.0	FIXINGS M4X18

VPR100



PART NUMBER	DESCRIPTION
VP-100 -1.0	COVER
VP-100 -2.0	COVER GASKET
VP-100 -3.0	MAIN BODY
VP-100 -5.2	LENS GASKET
VP-100 -5.3	MAIN BODY GASKET
VP-100 -6.0	RETAINING RING
VP-100 -7.0	SCREWS M4X10
VP-100 -8.0	FIXINGS M4X18

VPLC100



PART NUMBER	DESCRIPTION
LC-100 -1.0	COVER
LC-100 -2.0	COVER GASKET
VP-100 -3.0	RETAINING RING
LC-100 -4.1	IR 1 LENS
LC-100 -4.2	Ge LENS
LC-100 -4.3	ZnSe LENS
LC-100 -4.4	CaF2 LENS
LC-100 -4.5	BaF2 LENS
LC-100 -4.6	Al2O3 LENS
LC-100 -5.0	FIXING LUGS