



[www.g-m-tech.com](http://www.g-m-tech.com)

Tel: +44 (0) 1245 500 460



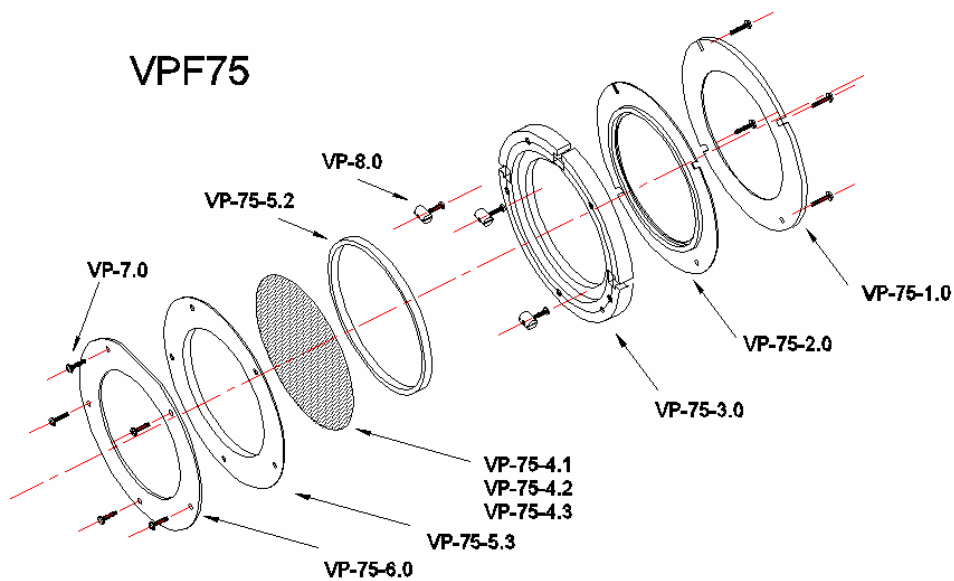
**IRISS®**

**Infra Red Inspection Support Systems**

## **VP-75 IR VIEWING PORT PARTS LIST**

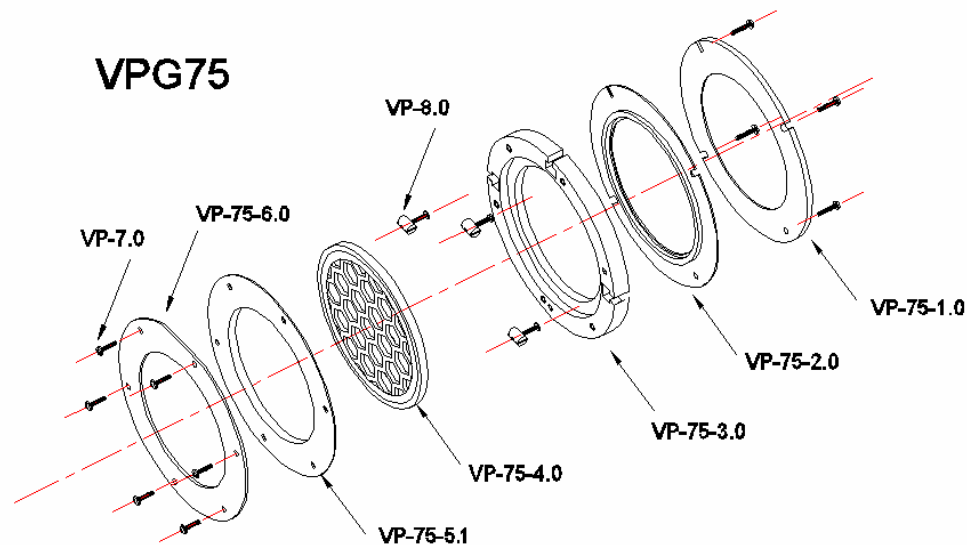


### VPF75



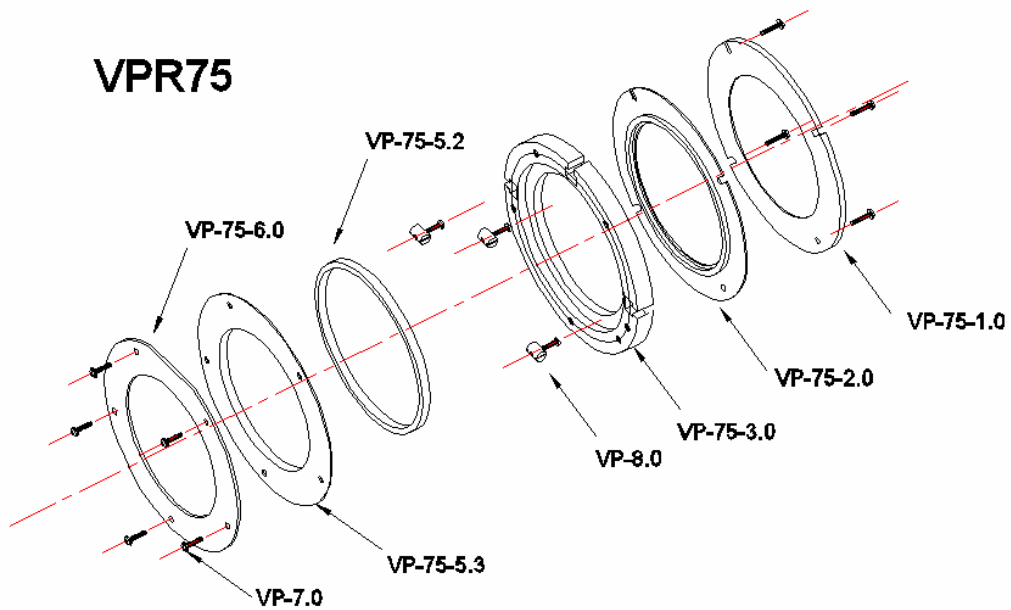
PART NUMBER	DESCRIPTION
VP-75 -1.0	COVER
VP-75 -2.0	COVER GASKET
VP-75 -3.0	MAIN BODY
VP-75 -4.1	IR 1 LENS
VP-75 -4.2	Ge LENS
VP-75 -4.3	ZnSe LENS
VP-75 -4.4	CaF2 LENS
VP-75 -4.5	BaF2 LENS
VP-75 -4.6	Al2O3 LENS
VP-75 -5.2	LENS GASKET
VP-75 -5.3	MAIN BODY GASKET
VP-75 -6.0	RETAINING RING
VP-75 -7.0	SCREWS M4X10
VP-75 -8.0	FIXINGS M4X18

### VPG75



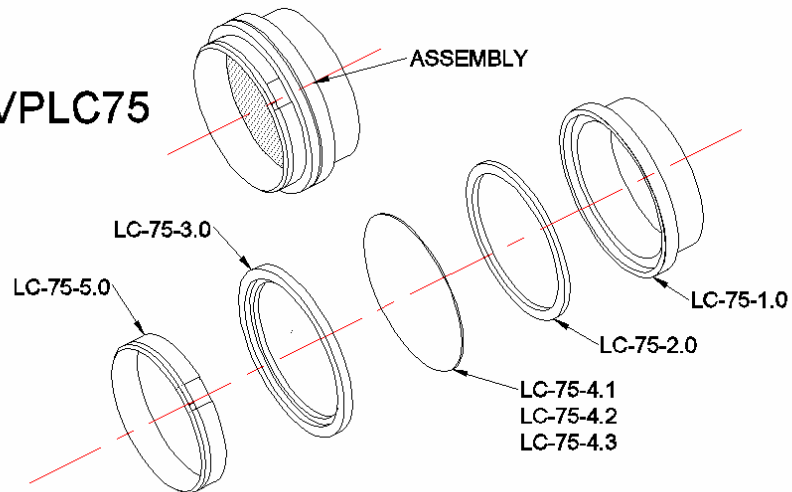
PART NUMBER	DESCRIPTION
VP-75 -1.0	COVER
VP-75 -2.0	COVER GASKET
VP-75 -3.0	MAIN BODY
VP-75 -4.0	75mm GRILL
VP-75 -5.1	GRILL GASKET
VP-75 -6.0	RETAINING RING
VP-75 -7.0	SCREWS M4X10
VP-75 -8.0	FIXINGS M4X18

## VPR75



PART NUMBER	DESCRIPTION
VP-75 -1.0	COVER
VP-75 -2.0	COVER GASKET
VP-75 -3.0	MAIN BODY
VP-75 -5.2	LENS GASKET
VP-75 -5.3	MAIN BODY GASKET
VP-75 -6.0	RETAINING RING
VP-75 -7.0	SCREWS M4X10
VP-75 -8.0	FIXINGS M4X18

## VPLC75



PART NUMBER	DESCRIPTION
LC-75 -1.0	COVER
LC-75 -2.0	COVER GASKET
VP-75 -3.0	RETAINING RING
LC-75 -4.1	IR 1 LENS
LC-75 -4.2	CaFI2 LENS
LC-75 -4.3	Ge LENS
LC-75 -5.0	FIXING LUGS